

Full HD 3G / HD-SDI Camera

KP-HD3005G

Full HD / Global Shutter CMOS / 0.0001 lux / NIR Sensor



Rear Panel



- By adopting the global shutter CMOS sensor, distortion due to the movement of the camera or subject does not occur.
- Achieves high sensitivity with a minimum subject illuminance of 0.0001 lux by adopting high-sensitivity CMOS of 2/3 type (effective pixel area: 1 / 1.58 type).
- By adopting C (CS) mount, it is possible to select the lens according to the application.
- Smooth enlargement up to 4x with digital zoom function (applies only to the center of the image).
- Equipped with a pixel defect correction function for users.
- The Defog function clearly expresses hazy images.
- Clean specifications of the imaging surface compatible with 60x zoom lenses.

Global Shutter

Global shutter does not distort the image due to the movement of the subject like rolling shutter.



Rolling Shutter



Global Shutter

Motion Stabilizer

Motion Stabilizer (with optional VG-2000PCB)
2000mm Zoom Lens x60 Zoom.



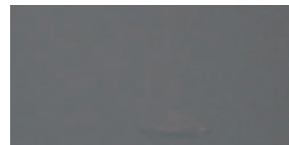
OFF



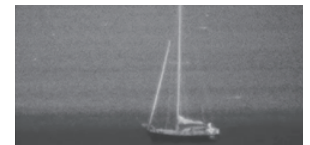
ON

Fog & Smoke Reduction

Adaptive Defog. B&W with Visible Cut (Lens Option) Filter allows camera to see through fog in real time.



OFF



ON

Real Time Heat Haze Correction

Heat & Haze correction, 2000mm Zoom Lens
x60 Zoom (with optional VG-2000PCB).



OFF



ON

Main Specifications

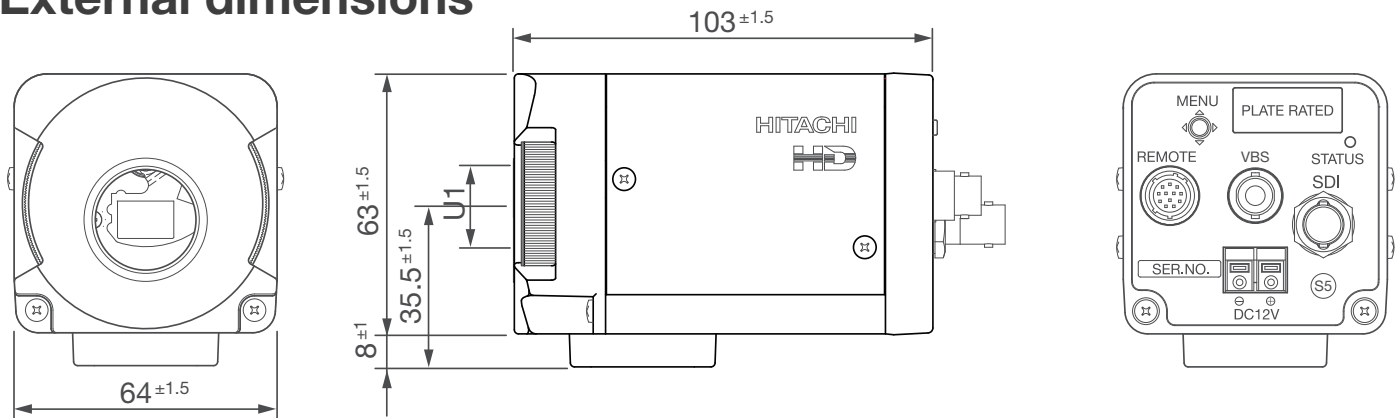
KP-HD3005G

| | |
|----------------------|---|
| Imaging Device | 2/3 inch CMOS (RGB Bayer color) Effective Area: 1/1.58 inch |
| Total pixels | 1944(H) X 1496(V) 2.91M pixels |
| Effective pixels | 1944(H) X 1096(V) 2.13M pixels |
| Imaging System | Progressive 59.94fps/50fps |
| Sync system | Internal |
| Video output | 3G-SDI (SMPTE424M) & HD-SDI (SMPTE292M) & Analog VBS (selectable PAL or NTSC) |
| Video format | 3G-SDI: 1080 59.94p/50p, HD-SDI: 29.97p/25p |
| Minimum illumination | Color: 0.015 lux (F1.2 AGC: 75dB, Gamma: High, SENS UP OFF, Shutter: 1/60) B&W: 0.0001 lux (F1.2 AGC: 75dB, Gamma: High, SENS UP OFF, Shutter: 1/60) |
| S/N ratio | More than 60dB |
| Resolution | Horizontal resolution more than 800 lines TV lines |

OPERATIONAL

| | |
|----------------------------------|---|
| AGC | OFF / Auto (Max Gain 75dB: When Defog is OFF, Max Gain 42dB: When Defog is AUTO) |
| Electronic shutter | OFF / AES / Manual (1/60 to 1/10000 sec) |
| Electronic sensitivity (SENS UP) | OFF / Auto (Max 30[25] times) / Manual (2 to 30[25] times) |
| Defog | OFF / Auto / Auto-High |
| Day & Night (W/B switching) | COLOR / B&W / Auto (ICR) |
| Light Control | OFF / ON (photometry area with ROI capability) |
| White Balance | Auto / One Push / Manual: Normal (2500K-8000K), Special (2300K-10000K) |

External dimensions



These Specifications are subject to change without notice.

CAUTION : To ensure safe operation, please read the instruction manual before using this product.

Hitachi Kokusai Electric Inc.

URL : <https://www.hitachi-kokusai.co.jp/global/en/index.html>
32, Miyuki-cho, Kodaira-shi, Tokyo 187-8511, Japan
Phone : +81-50-3383-3432, Fax : +81-42-322-3303

Hitachi Kokusai Electric Asia (Singapore) Pte. Ltd.

URL: <http://www.hitachi-kokusai.com.sg/>
7 Tampines Grande, #02-02A Hitachi Square,
Singapore 528736
Phone : +65-(0)6212-1945, Fax : +65-(0)6231-2429

Hitachi Kokusai Electric America, Ltd.

URL: <http://www.hitachikokusai.us/>
Headquarters
104 Feeding Hills Road Southwick, MA 01077, U.S.A.
Toll Free : +1 (833) 227-1658,
Phone : +1 (669) 207-5038

West Office
11258 Monarch Street, Unit H
Garden Grove, CA 92841, U.S.A.

West Sales Phone : +1 (516) 682-4448

East Sales Phone : +1 (516) 682-4445

Midwest Sales Phone : +1 (516) 682-4450

South Sales Phone : +1 (516) 682-4453

Canada / Latin Sales Phone : +1 (516) 682-4408

Hitachi Kokusai Electric Europe GmbH

URL : <http://www.hitachi-keu.com/>
Frankfurt Head Office
Siemensstr. 9, D-63263 Neu-Isenburg, Germany
Phone : +49 (0) 6102-8332-0, Fax : +49 (0) 6102-202616

London Office

Orion House, Bessemer Road, Welwyn Garden City, Herts,
AL7 1HH, UK
Phone : +44 (0) 7808 330195

Hitachi Kokusai Linear Equipamentos Eletrônicos S/A

URL : <http://www.hitachi-linear.com.br/>
Avenida Frederico de Paula Cunha, 1001 - Maristela
Santa Rita do Sapucaí - MG - Brasil - CEP: 37540-000
Phone : +55 (35) 3473-3473, Fax : +55 (35) 3473-3474