

KT-PH491



All Your Camera Robotic Needs

KT-PH491 has been engineered to perform in different situations. with a **5Kg** Payload it enables user to choose the best POV Camera and Lens configuration for their application without limitation, with its compact and low noise features it allow user to install for multiple shooting angles.

Super Silent, Compact and Lightweight

Design with noise level measured at only 16.72db, it discreetly fits within any indoor environment with it lightweight and compact size



Control Camera Parameter

Allow user to control the Camera parameter like an RCP on selected camera. Other than the standard Pan, Tilt, Zoom, Focus and Iris control Kxwell provide more control function like controlling Camera's GUI menu, AWB, ABB, Shutter, ND filter and Gain

Clean and Stable system set-up configuration

With different optional in-built interface user is able to choose from RS422, TCP/IP, Single Mode Fiber or wireless to control robotic.



Wide Range of Camera and Lens choices

Support wide range of Pro-Video & Broadcast Cameras and Lens, allowing user to select the best equipment for their application needs.



Power Supply to Camera

KT-PH491A able to supply power to camera, allowing user to control the robotic and the camera power from Kxwell Control Panel and no extra DC adaptor needed for camera.

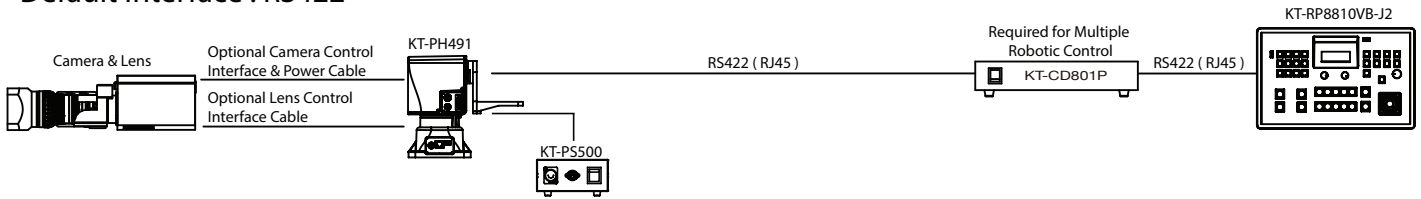


Variable Speed Control for pan, tilt and lens

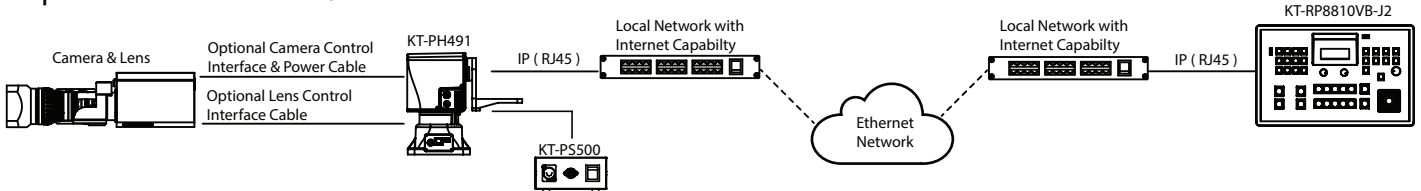
Allow operator to have a smooth control on pan, tilt and lens with adjustable speed.

Optional Control Interface:

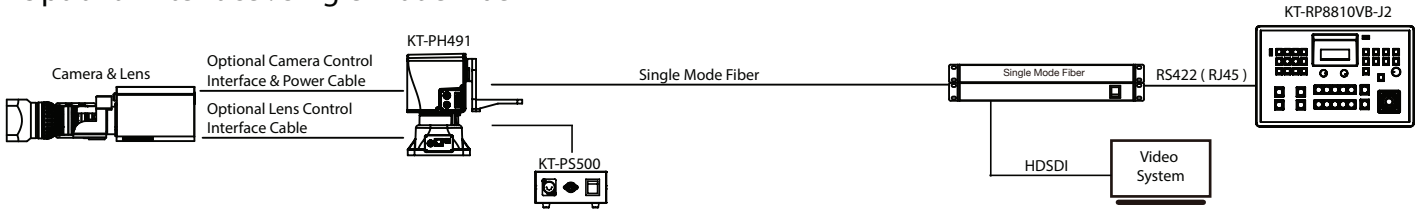
Default Interface : RS422



Optional Interface : TCP/IP



Optional Interface : Single Mode Fiber



Optional Firmware and Interface Cable:

Sony :
KT-EX312

Ikegami :
HDL Series - KT-CA9STHDL

Panasonic :
AW Series - KT-CA9ST50P
AK Series - KT0CA9STAK

Hitachi :
DK Series - KT-CA9STDK
HV Series - KT-CAST15P

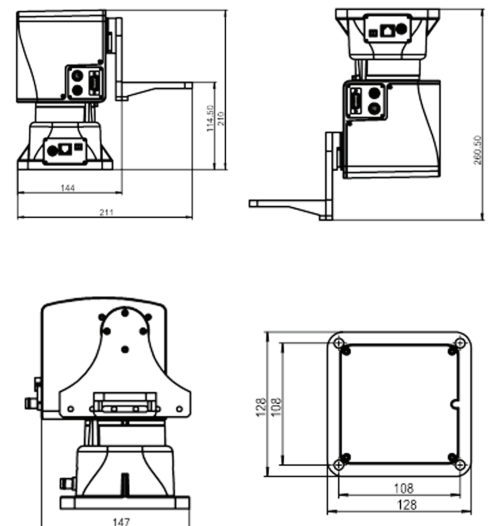
Canon :
KT-CAST20PB-C
KT-CA9ST9P-2A

Fujinon :
KT-CA9ST20PA-F
KT-CA9ST9P-2A

Specification:

Item	KT-PH491
Max Payload	5 Kg , 11 Lbs
Pan / Tilt Range	Pan: 290°; Tilt: +90°~-90°(Support Limit Set)
Pan / Tilt Speed	Pan: 0.2°~30°/S; tilt: 0.1°~16°/S
Accuracy	0.01° ± 10% (Default)
Pre-Set Position	100 (Pan, Tilt, Lens)
Noise Level	17dB
Working Temperature	-10°C ~ 45°C , 14F ~ 113F
Power supply	AC/DC 15V ~ 24V
Wattage	17Watts (Excluding Camera)
Weight	3.8 Kg, 8.37 Lbs
Optional Install Mount	Tripod, Wall Mount, Ceiling Mount.
Communication Protocol	KXWELL Protocol(default), Sony Visca, Panasonic AW, PELCOD *Kxwell Protocol is Default, if apply others protocol control functions is limited
Optional Interface	
RS422	1.2 Km (Default)
TCP/IP	100 m (Option)
Wireless Control	2 Km @ 433MHz; 300 m @ 2.4 GHz (Option)
3G Fiber	20 Km; Control signal and HD/SD SDI (Option)
1.5G Fiber	20 Km, 40Km; Control signal and HD/SD SDI (Option)
Control Panel	
KXWELL Control Panel	KT-RP8705, KT-RP8810VB/W-J2, KT-RP8800-J2, KT-RW8804-J2, KT-RP8910-J2

Dimension:
Unit: mm



*Above Information may vary according to requested configuration