

# Hitachi Kokusai Electric

# HITACHI

Inspire the Next

**High Performance,  
Multi-format Compact, HDTV Box Camera**

# DK-H200

**HDR**  
HIGH DYNAMIC RANGE



The DK-H200 is a high-performance, special application HDTV camera that is ideal for point of view, Pan/Tilt remote observation and studio applications. Incorporating High Dynamic Range and 2.6 mega-pixel 3-MOS sensors, the DK-H200 provides outstanding performance. The camera offers sharper and cleaner HD images due to Hitachi's implementation of the latest digital processing technology. The camera achieves outstanding high sensitivity and no vertical smear.

## Features

### ● Image Sensor

The 2.6 million pixels 2/3-inch native 1080p MOS image sensor.

### ● Multi-format

Various formats are able to be selectable.

Video Format : 1080p, 1080i, 720p

Frame Rate : 59.94 Hz, 50 Hz, 60 Hz

### ● High sensitivity and Signal to Noise ratio

Low-noise circuit technology provides a signal to noise ratio of 60dB. Even at high gain, clear images are obtained with little noise.

The standard sensitivity is F12(59.94 Hz), F13(50 Hz) at 2000 lx.

The sensitivity can be increased by Master Gain and long exposure mode to reproduce dark images with a minimum illumination of 0.002 lx at F1.4.

### ● High Dynamic Range

Hybrid Log-Gamma (HLG) and Perceptual Quantization (PQ)

### ● Full Auto

The built-in Automatic Exposure System (AES), Automatic Gain Control (AGC) and automatic iris maintain the video level even with rapidly changing light intensity.

Full-time Auto White balance (FAW) corrects in real-time for color temperature variations due to changing types of lighting conditions on the scene object.

### ● DSP(Digital Signal Processing) provide advanced image handling and adjustment functions

- Real-time Lens Aberration Correction (RLAC)  
Lens chromatic aberration of magnification is reduced by digital processing with supporting lenses.
- Knee saturation and auto-knee
- 12-Vector and Linear Matrix masking
- Ultra Gamma
- Gray Scale Automatic Setup
- Automatic White Shading

### ● Extensive User-Friendly Features

- Focus assist  
Focus assist indicator can be displayed on VF Out and viewfinder for easy focusing.
- Eight scene files  
The scene file is provided to store and recall functions such as gain, detail, masking, gamma and other settings.
- Eight lens files  
The lens file is provided to store and recall such as white shading, iris speed, iris open limit, and iris close limit.
- ECC (Electric Color Compensating) filter

## Specifications

<b>Image sensor</b>	2/3-inch, MOS image sensor Total pixels 2,270 (H) × 1,144 (V) 2.6 million pixels Effective pixels 1,920 (H) × 1,080 (V)
<b>Signal format</b>	1080p, 1080i, 720p
<b>Optical Filter</b>	1x motorized filter wheel ND(CLEAR, 1/4 ND, 1/16 ND, 1/64 ND)
<b>ECC</b>	3200 K, 4300 K, 5600 K, 6300 K, 8000 K
<b>HD Resolution</b>	1100TVL
<b>HD SNR</b>	60dB(HD-SDI output decode Y channel)
<b>Sensitivity</b>	1080/59.94p, 59.94i, 60p, 60i : F12 @ 2000 lx, 3200 K, 89.9% reflectance 1080/50p, 50i : F13 @ 2000 lx, 3200 K, 89.9% reflectance
<b>Minimum illumination</b>	0.002 lx (at F1.4, 36dB Video Gain+36dB frame accumulation mode)
<b>Vertical Smear</b>	No smear
<b>Gain selection</b>	L (low) -3/0dB M (medium) 0/+3/+6/+9/+12/+15/+18/+21dB H (high) +3/+6/+9/+12/+15/+18/+21/+24/+27/+30/+33/+36dB
<b>Modulation Depth</b>	Min 50% (16 : 9 @27.5 MHz)
<b>Shutter</b>	<b>Preset mode</b> 1/100, 1/250, 1/500, 1/1000, 1/2000, 1/4000, 1/10000 second (59.94p, 59.94i, 60p, 60i) 1/60, 1/250, 1/500, 1/1000, 1/2000, 1/4000, 1/10000 second (50p, 50i)
	<b>VAR scan mode</b> 1/60.15 to 1/9633, 1.07 to 0.03 second (59.94p, 59.94i, 60p, 60i) 1/50.17 to 1/11250, 1.28 to 0.04 second (50p, 50i)
	<b>AES mode</b> Automatic video level control by shutter speed.
<b>Dimensions</b>	99(W) x 105(H) x 155(D) mm (excluding protrusions)
<b>Power Consumption</b>	approx. 18 W (DC 12 V)
<b>Temperature range</b>	Operation -10 °C to +45 °C , 14 °F to +113 °F Storage -20 °C to +60 °C , -4 °F to +140 °F
<b>Mass</b>	approx. 1.3 kg (2.9 lbs)

## Input / Output

<b>Gen-Lock Input</b>	BNC for Tri-level sync or Black Burst
<b>SDI Output</b>	MON OUT:1 x BNC HD-SDI out (Character ON/OFF) SDI OUT:1 x BNC HD-SDI out
<b>Remote Control</b>	1:4-pin Multi connector for Remote Control Unit 2:8-pin RJ-45 connector for 10BASE-T/100BASE-T
<b>Lens Control</b>	12-pin Multi LENS connector
<b>VF Output</b>	15-pin D-SUB connector for VF
<b>Power supply Input</b>	4-pin XLR connector DC 12 V (10.5 V to 17 V)

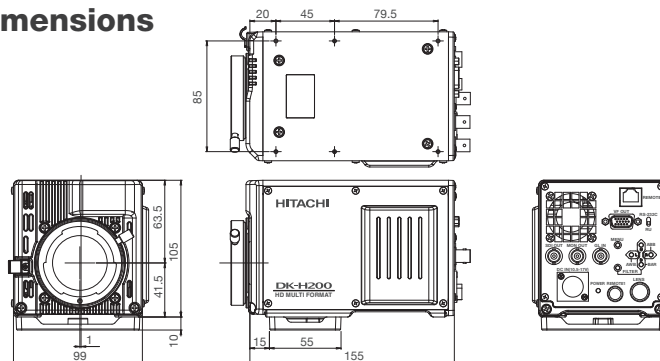
## Standard composition

<b>Camera Head DK-H200</b>	1
<b>Lens Mount Cap</b>	1
<b>Operating Instructions</b>	1

## Accessories

<b>Remote Control Unit</b>	RU-1000VR / RU-1500JY
<b>Setup Control Unit</b>	SU-1000
<b>AC adaptor</b>	IA60a (I.D.X)
<b>Lens Extension Cable</b>	ECE-R22(0.22 m)(FUJIFILM)

## Dimensions



These Specifications are subject to change without notice.

**CAUTION** : To ensure safe operation, please read the instruction manual before using this product.

### Hitachi Kokusai Electric Inc.

URL : <https://www.hitachi-kokusai.co.jp/global/en/index.html>  
32, Miyuki-cho, kodaira-shi, Tokyo 187-8511, Japan  
Phone : +81-50-3383-3432, Fax : +81-42-322-3303

### Hitachi Kokusai Electric Asia (Singapore) Pte. Ltd.

URL : <http://www.hitachi-kokusai.com.sg/>  
7 Tampines Grande, #02-02A Hitachi Square,  
Singapore 528736  
Phone : +65-(0)6212-1945, Fax : +65-(0)6231-2429

### Hitachi Kokusai Electric America, Ltd.

URL : <http://www.hitachikokusai.us/>  
**Headquarters**  
104 Feeding Hills Road Southwick, MA 01077, U.S.A.  
Toll Free : +1 (833) 227-1658,  
Phone : +1 (669) 207-5038

#### West Office

11258 Monarch Street, Unit H  
Garden Grove, CA 92841, U.S.A.

**West Sales** Phone : +1 (516) 682-4448

**East Sales** Phone : +1 (516) 682-4445

**Midwest Sales** Phone : +1 (516) 682-4450

**South Sales** Phone : +1 (516) 682-4453

**Canada / Latin Sales** Phone : +1 (516) 682-4408

### Hitachi Kokusai Electric Europe GmbH

URL : <http://www.hitachi-keu.com/>  
**Frankfurt Head Office**  
Siemensstr. 9, D-63263 Neu-Isenburg, Germany  
Phone : +49 (0) 6102-8332-0, Fax : +49 (0) 6102-202616

#### London Office

Orion House, Bessemer Road, Welwyn Garden City, Herts,  
AL7 1HH, UK  
Phone : +44 (0) 7808 330195

### Hitachi Kokusai Linear Equipamentos Eletrônicos S/A

URL : <http://www.hitachi-linear.com.br/>  
Rodovia BR 459, No121-A, Km 121 - Bairro Corrego Raso,  
Santa Rita do Sapucaí, 37540-000, MG - Brazil  
Phone : +55 (35) 3473-3473, Fax : +55 (35) 3473-3474